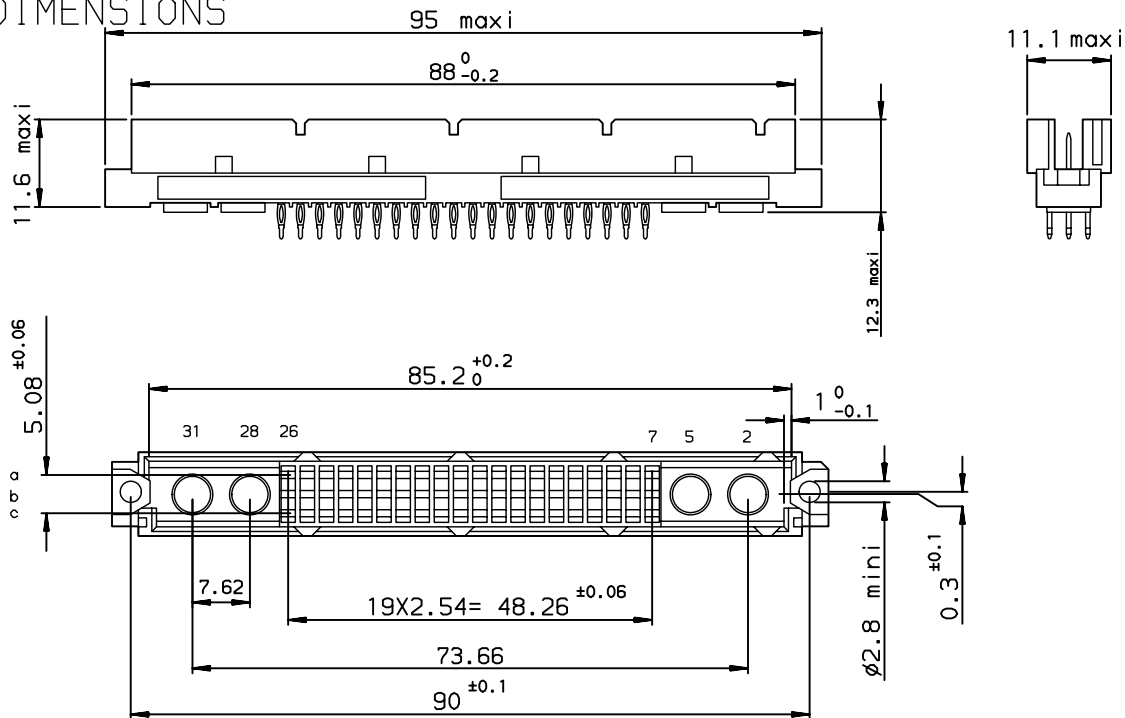


DIMENSIONS



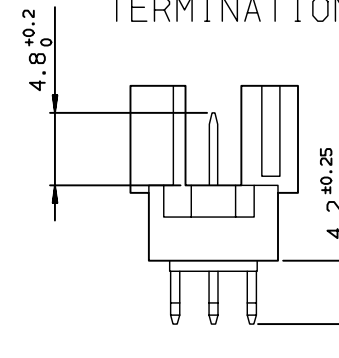
GENERAL CHARACTERISTICS :

-SEE DRAWING REF. C-8609-0000

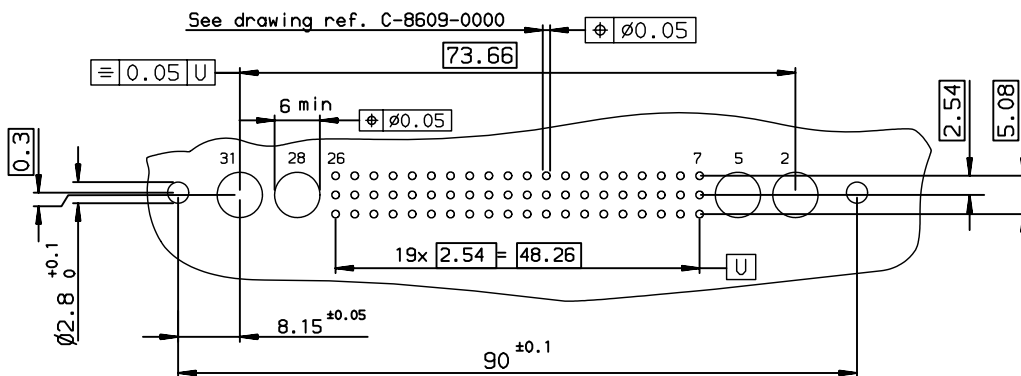
SPECIFIC CHARACTERISTIC :

-Finishing contact surface: 1µm mini gold over Nickel

TERMINATION



P.C. CARD DRILLING (Component side view)



PART NUMBER : 8609-360-C8-94-795-000-E1

European Views

www.fciconnect.com		surface ISO 1302 ✓	tolerance std ISO 406 ISO 1101	projection mm
TOLERANCES UNLESS OTHERWISE SPECIFIED				
Dr	LEGALLIC	2001/02/13	ANGULAR	size A3
Eng	LEGALLIC	2001/02/13	LINEAR	Scale 1.5
Chr	LEGARE	2001/02/13	0.XX ±0.1	ECN LS07-0130
Appr	LEGARE	2001/02/13	0.XXX ±0.1	Spec ref -
Product family			DIN	
<b>STRAIGHT MALE PRESS FIT</b> title 60 CONTACTS catalog no				Rev. B C-8609-0989 sheet 1 of 1

rev	ecn no	dr	date
A	-	HLE	2001/02/13
B	LS07-0130	HLE	2007/06/05
-	-	-	-
-	-	-	-
-	-	-	-
-	-	-	-